

Around the Coyote

2009 Fall Arts Festival

Opening Party October 16
October 16-18

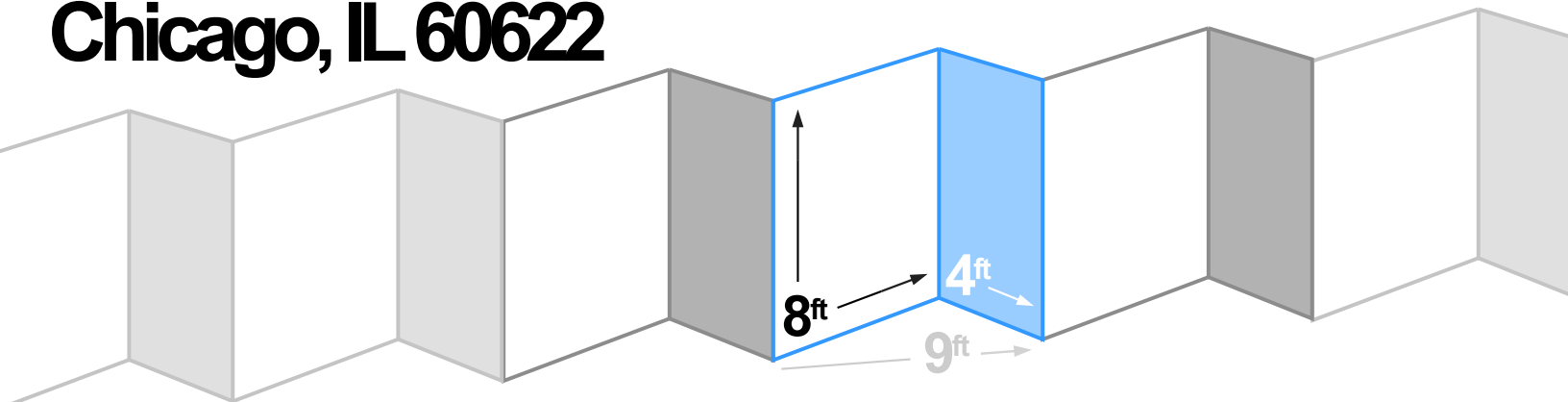
Visual Art Application

Deadline: June 1, 2009

\$2000 Award for Best in Show

MAIL TO

Around the Coyote
attn: Festival Visual Arts
1935½ W North Ave
Chicago, IL 60622



more info + notification of acceptance
www.aroundthecoyote.org

Please join us **October 16th, 17th, and 18th, 2009** as thousands of art collectors, dealers, and visitors will converge at one of Chicago's most interesting celebrations of the arts. Each year, hundreds of musicians, painters, photographers, sculptors, actors, performance artists, poets, and filmmakers participate in this unique opportunity to exhibit and sell their work to visitors from the United States and abroad. Our festival brings together an innovative lexicon of new and emerging artists of all disciplines under one roof for a weekend of creativity, networking and fun.

Opening Party October 16 / October 16-18

Visual Art Application Deadline: June 1, 2009 \$2000 Award for Best in Show

MISSION

Around the Coyote supports, promotes and makes accessible Chicago's multidisciplinary arts community. Our activities enhance public discourse and provide creative outlets for emerging artists. Year-round programming includes multi-media arts festivals featuring visual art, theater, dance, video and poetry in the spring and fall; art exhibitions in the Around the Coyote gallery; an artist-in-residence program; membership opportunities for artists and art aficionados; educational outreach for all ages through multi-media art workshops, lectures, collaborations with local schools and agencies, and career development workshops for artists.

FESTIVAL FOCUS

The focus of the Fall Arts Festival is on new and emerging artists. We hope to provide access for the Chicago community to see the work of these often under-exhibited artists. This festival will be curated by guest curators and our staff. Not every artist who applies can be admitted, so please send a professional application representing your best new work. If you will be submitting work that requires specific technical requirements for display please note these on the back of the application form so that we can take these into consideration when placing you in a venue. Please note that every exhibiting artist will receive the same amount of exhibiting space, no exceptions.

REIMBURSEMENT POLICY

The Application Fee is non-refundable. The Application Fee will not be returned if the artist is admitted and subsequently drops out of the festival. The Application fee will not be returned even if the artist is not chosen to participate in the festival. This is a curated festival, and some applicants will be turned away. Any overpayments will be considered donations to our arts and education programming. Thank you.

BEST NEW ARTIST AWARD

One deserving artist will be selected by Around the Coyote staff and our guest curator as the most promising new artist of 2009 and will be awarded \$2,000 to be used, as the artist sees fit, in furtherance of that artist's art practice. Every submitting artist will be considered for the cash award. The prize will be awarded based on the quality and progressiveness of the artist's work and the professionalism of their application.

NOTIFICATION

All artists admitted to the festival will be listed on our website: www.aroundthecoyote.org on JULY 1st. Accepted artists will also be emailed of their acceptance, please provide a valid email address on your application.

ELIGIBILITY OF ARTISTS

Around the Coyote Arts Festival is open to all artists regardless of race, color, religion, national origin, gender, age, military status, sexual orientation, marital status, physical or mental disability or residency. We accept work from artists living and working in any location on the earth, but the artist must be present at the festival.

We require that all works submitted be original fine art created by the submitting artist. Artists may not share or sublet their space. No crafts please. Around the Coyote defines crafts as including, but not limited to, jewelry and functional items. The Around the Coyote administration reserves the right to remove work at any time if it is determined not to be original fine art created by the submitting artist.

FESTIVAL LOCATION

The Around the Coyote Fall 2009 Arts Festival will be taking place at Plumbers Hall, located at 1340 W Washington in the West Loop. Plumbers Hall will house the entire festival under one roof, allowing all disciplines greater access to a larger audience.

FEES

In order to make our festivals accessible to all artists, we have changed our fee structure.

The application fee is now \$20.

Upon acceptance an exhibition fee of \$100 is due from all artists participating in the festival. Notification of acceptance will occur on July 1, on our website www.aroundthecoyote.org

USE OF IMAGES

All artwork submitted for inclusion in Around the Coyote may be used in promotional print and press materials.

CURATOR'S CHOICE

The participants chosen for this honor will be designated a "Curator's Choice" artist in our schedule and catalog, and will be the guests-of-honor at the opening party on October 16th.

All digital images submitted with your application will be reviewed by our guest curator; therefore, all submitted images should be representative of work that will be exhibited at the festival. Our Curator will only be looking through digital images for the Curator's Choice review so any work submitted on slides will not be considered. If your work is performative or time based, including video and film installation work, please submit digital still images for review along with a written description of the piece. You will be contacted if the Curator would like to see further samples.

ARTIST PLACEMENT

Artists will each be given a triangular booth space that measures 8' long x 9' wide x 4' deep (see application cover sheet for diagram) and are expected to be at their booth throughout the festival. Artists may request placement next to another artist. The ATC staff will do their best to honor placement requests.

Around the Coyote 2009 Fall Arts Festival

Visual Art Application Deadline: June 1, 2009

Exhibiting Artist's First Name Last Name

Home Address City State Zip

Home Phone Email

Type of Work

I prefer to exhibit next to another exhibiting artist

I would like to volunteer during the months leading up to the festival.
Applicants volunteering more than 12 hours in the months leading up to the festival will be reimbursed their application fee.

MATERIALS TO BE INCLUDED WITH APPLICATION FORM

All materials must be submitted together; incomplete applications will not be reviewed.

- Signed Liability Waiver
- One check or money order for \$20. Overpayments are considered donations. Application fee is non-refundable. Please write "2009 FF Visual Art" in the memo line. \$15 will be charged for bounced checks.
- ONE CD with no less than 5 and no more than 8 digital images of your new work labeled with your full name, contact information and "FALL09" written on it. CD will not be returned. Slides will not be accepted.

IMAGES MUST BE NAMED: Lastname_Firstname_Title_Year.jpg

Image format must be in either JPG, JPEG, TIFF
Images must be print resolution (minimum 300 dpi and 1000 x 1000 px)

ALSO INCLUDE (ON SAME CD)

- Image list with your name, titles of pieces, year, media, dimensions.
Named: LastName_FirstName_ImageList
- Brief digital artist statement (DOC or PDF)
Named: LastName_FirstName_Statement
- Digital copy of your bio and any relevant press clippings or other supporting material. These materials will help in promoting the festival to the press and should be included with every application.
- I have written the specific technical requirements for my work (if any) on the back of this application. (For example, "I have an installation piece that hangs from the ceiling, or I would like to exhibit a piece that requires 3 electrical outlets in close proximity.)

LIABILITY WAIVER

The Undersigned hereby agrees to indemnify and hold harmless both the Illinois Corporation known as Around the Coyote, its Directors, Officers and volunteers individually and in their corporate capacity, its agents, employees, and insurers (referenced hereafter as Around the Coyote) from and against any and all loss, including attorney fees, damages, expenses and liability (including statutory liability in conjunction with claims for damages as a result of bodily injury or property damage, tangible or intangible, including any and all damages to artwork exhibited, displayed, presented by the undersigned on these premises, said damage to artwork including the loss of real value, market value, or perceived value of work as well as loss of use of tangible property which has not been physically injured or destroyed resulting from:

1. A delay or lack of performance by or on behalf of Around the Coyote of any contract or agreement.
2. The failure of Around the Coyote or work performed by or on behalf of Around the Coyote to meet the level of performance, quality, fitness or durability warranted or represented by Around the Coyote.

All entrants grant Around the Coyote the right to reproduce their work in conjunction with the promotion of Around the Coyote Arts Festival. Around the Coyote assumes all entries are original and are works and property of the entrant, with all rights granted therein. Around the Coyote is not liable for any copyright infringement on the art of the entrant.

Print Legal Name

Sign Name

Date

Please check our website after **July 1** to see if you have been admitted to the festival and to find out more information on what comes next.

We will not be returning phone calls regarding acceptance.

AROUND THE COYOTE NEEDS YOU!

If you are interested in volunteering in the office in the months leading up to the festival or during the festival please visit our website to sign up. We couldn't do it without our volunteers!

ATC OFFICE USE ONLY

Date Received Check #

mail to:

**Around the Coyote
attn: Festival Visual Arts
1935 $\frac{1}{2}$ W. North Ave
Chicago, IL 60622**